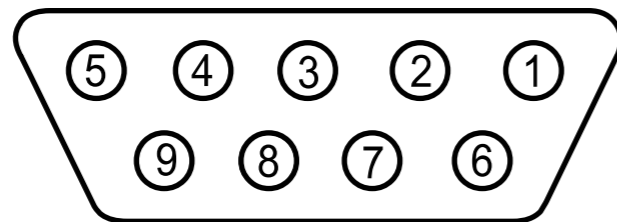
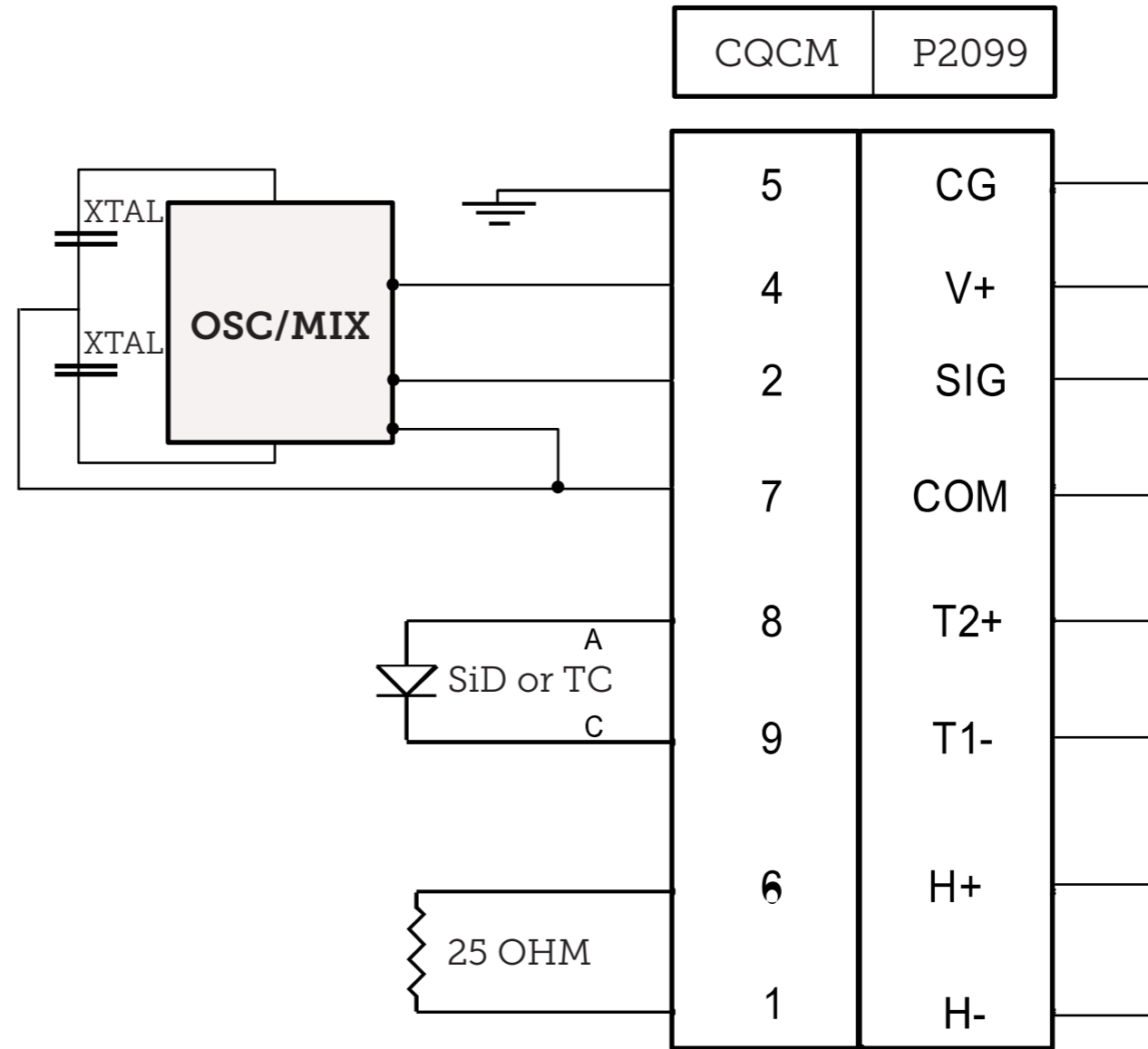


As viewed from behind the connector



P2009

As it appears on the outside



MK17 Pinout