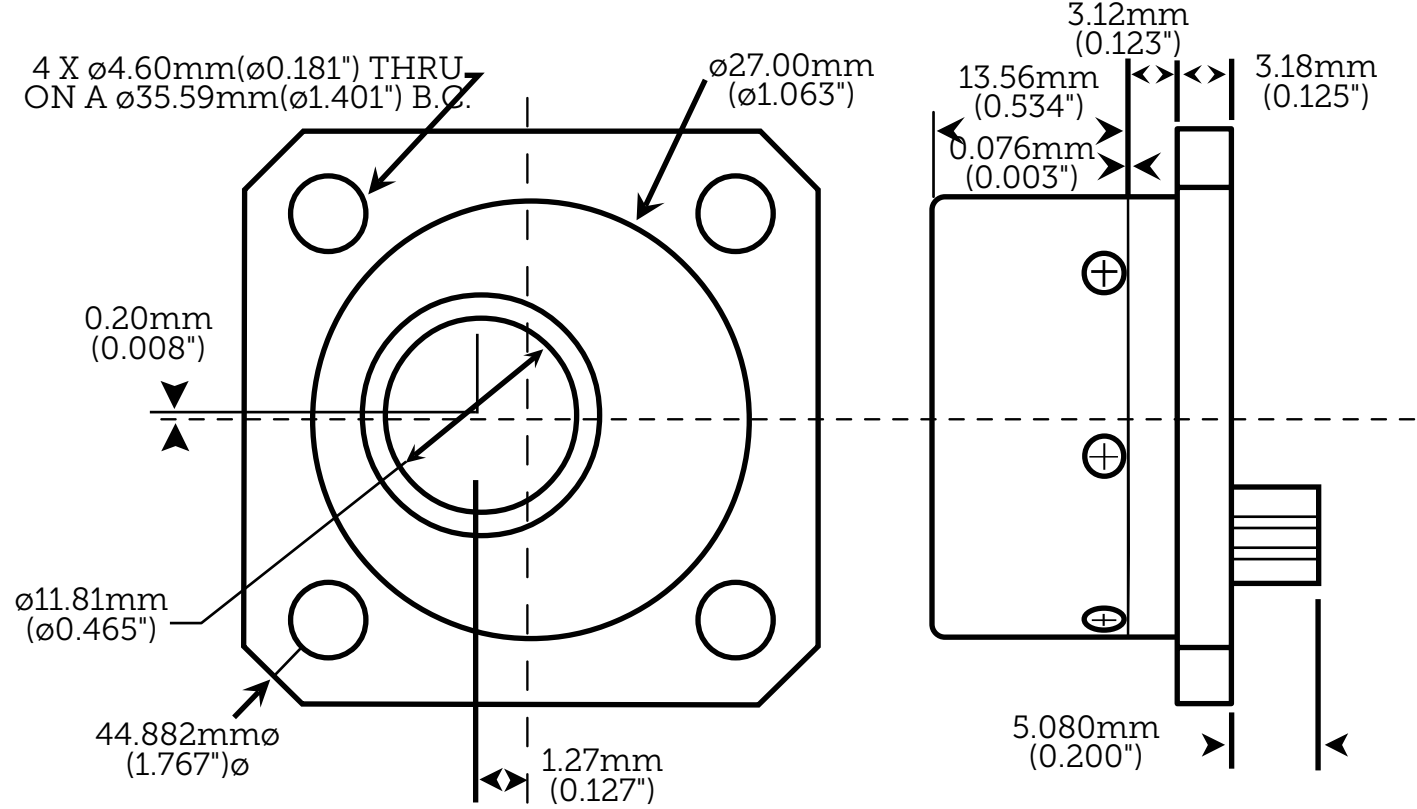
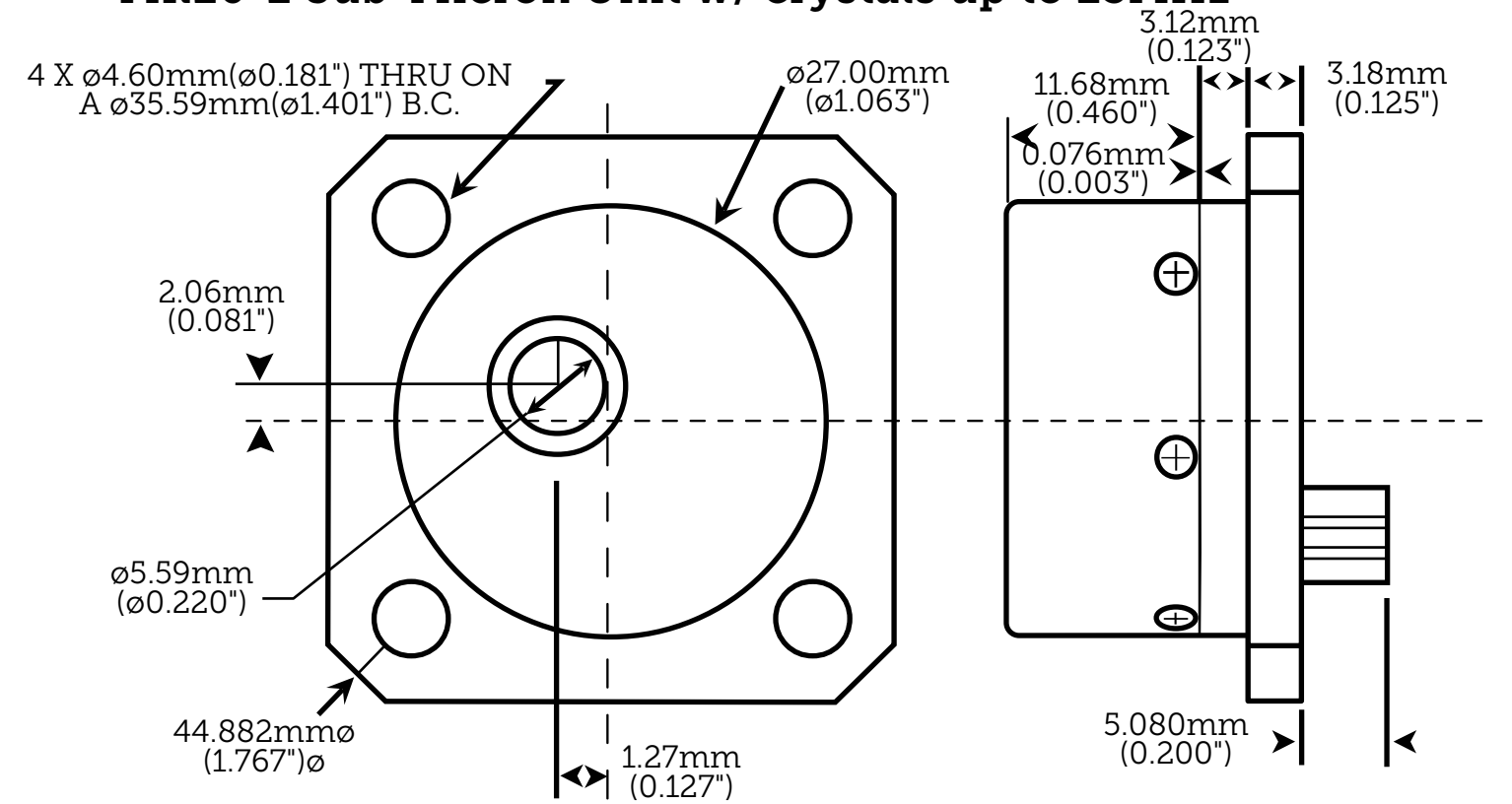


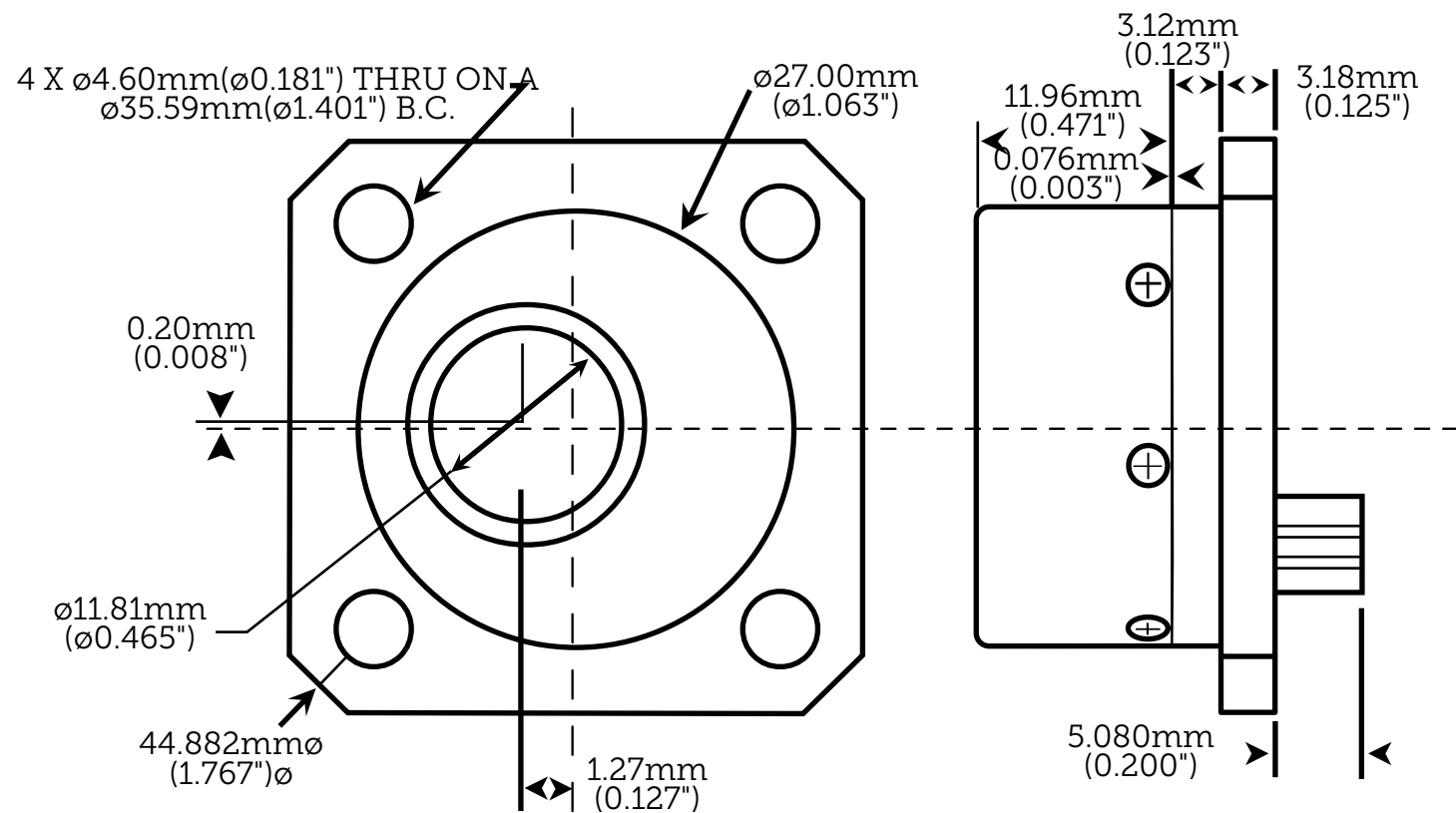
MK26-1 Standard Unit 6.25W



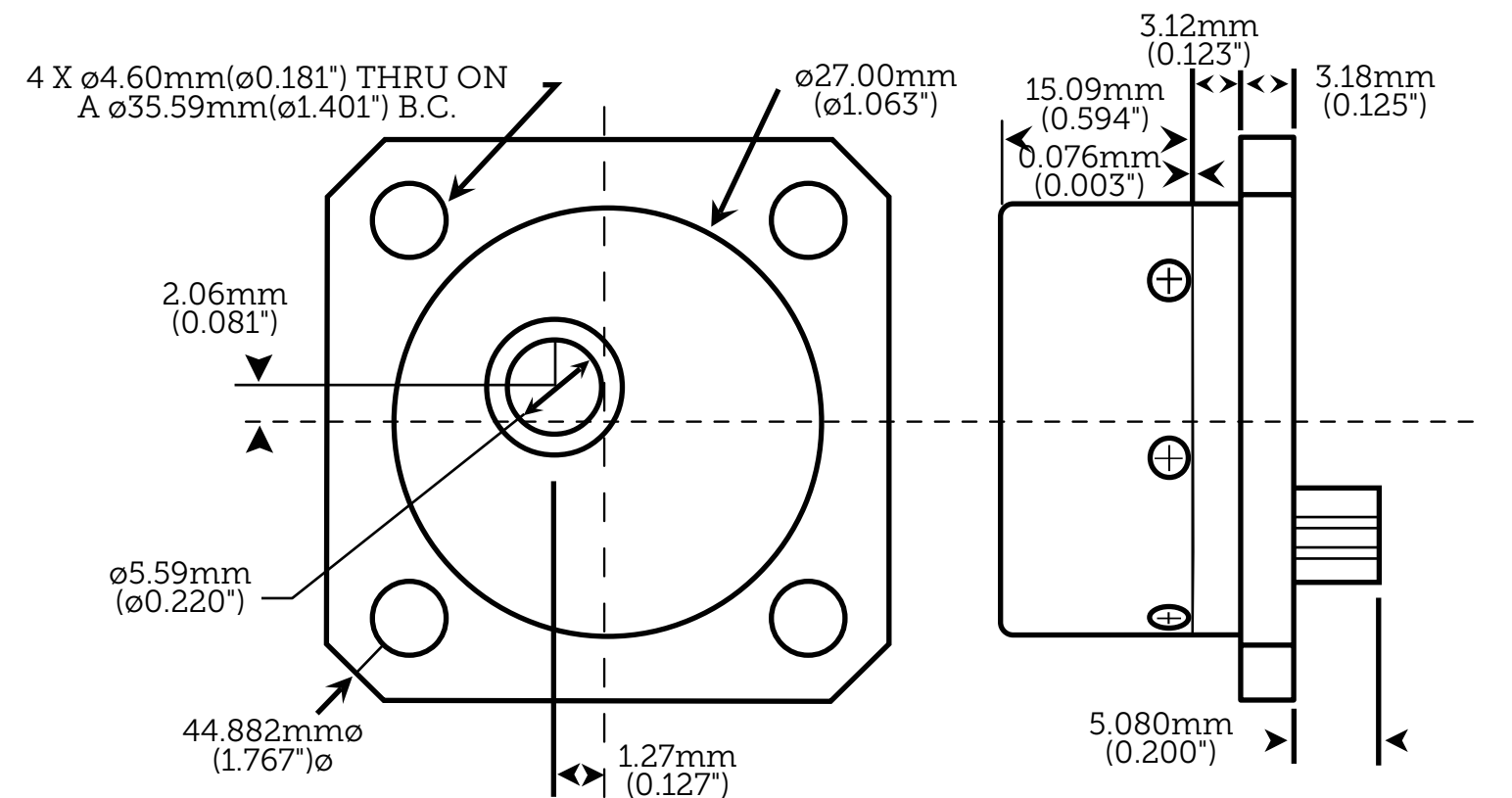
MK26-2 Sub-Micron Unit w/ crystals up to 25MHz



MK26-3 Low Power Peltier Unit 3.2W



MK26-4 Extended Freq/Temp Rang Unit



Model

Weight ~ 68 Grams